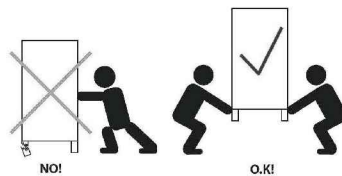
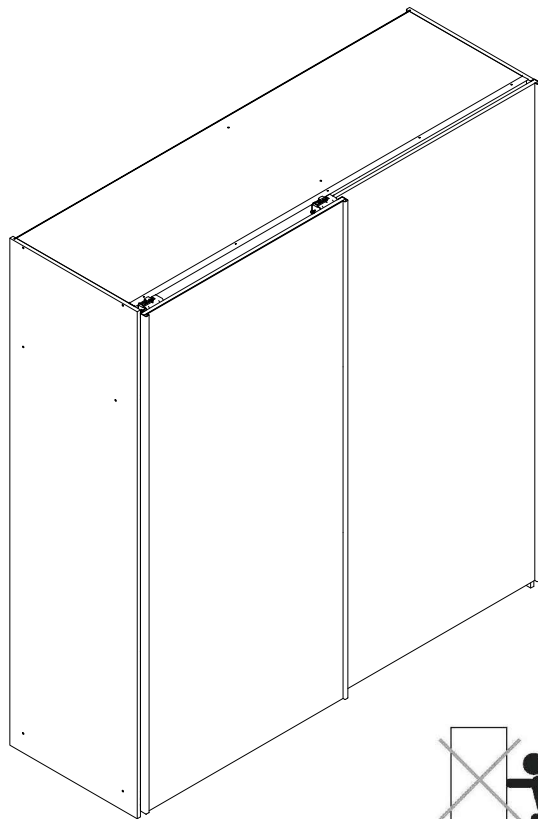


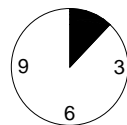
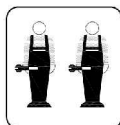
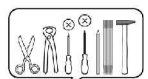
SZAFKA

MIKA 200 FRONTY



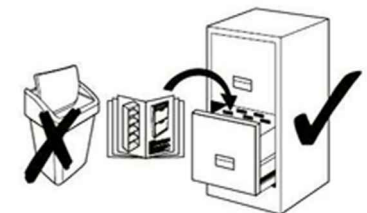
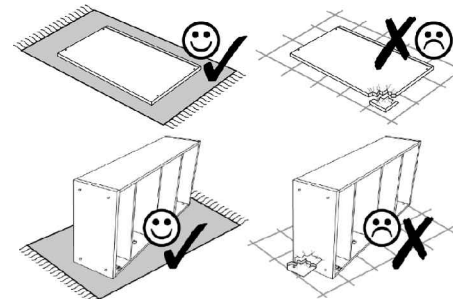
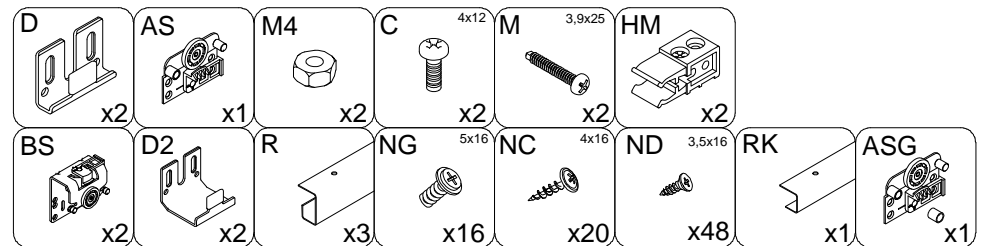
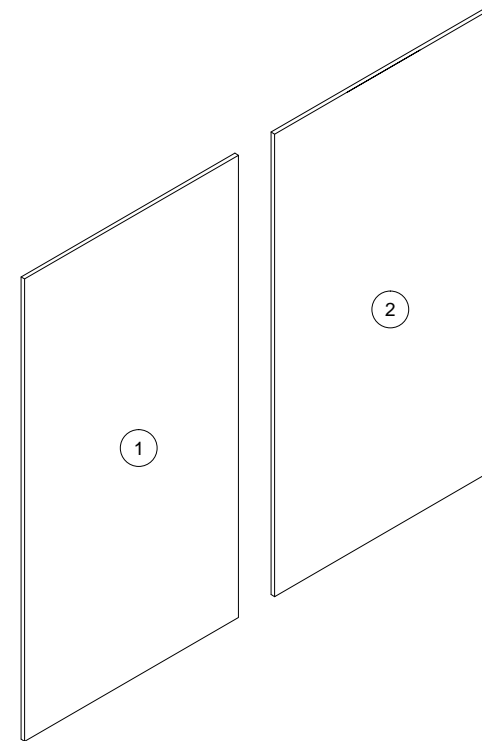
29.03.2017

- | | |
|-------------------------------|------------------------------|
| Ⓓ Montageanleitung | ⒸⒺ Assembly Instructions |
| Ⓕ Notice de montage | Ⓖ IT Istruzioni di montaggio |
| Ⓗ Handleiding voor de montage | Ⓗ PL Instrukcja montażu |
| Ⓒ CZ Montážní návod | Ⓗ SK Návod na montáž |
| Ⓗ HU Szerelési útmutató | Ⓗ RO Instrucțiuni de montaj |
| Ⓗ TR Montaj talimatı | Ⓗ RU Инструкции по монтажу |

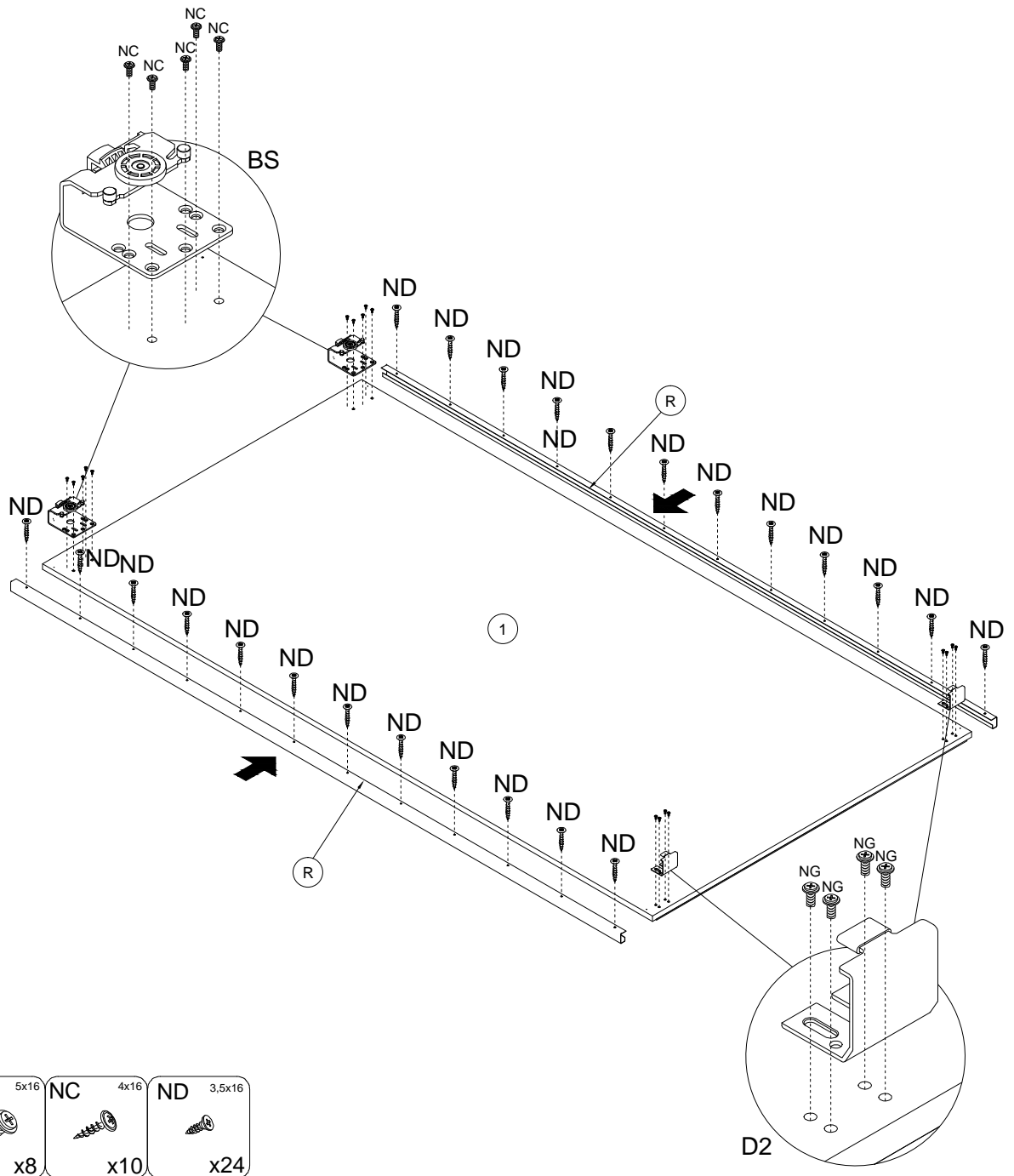


2-2,5

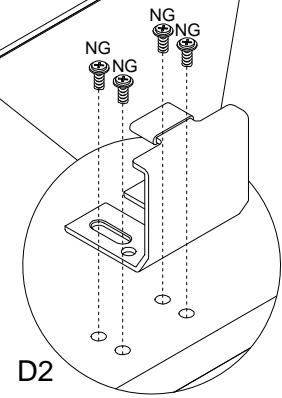
1

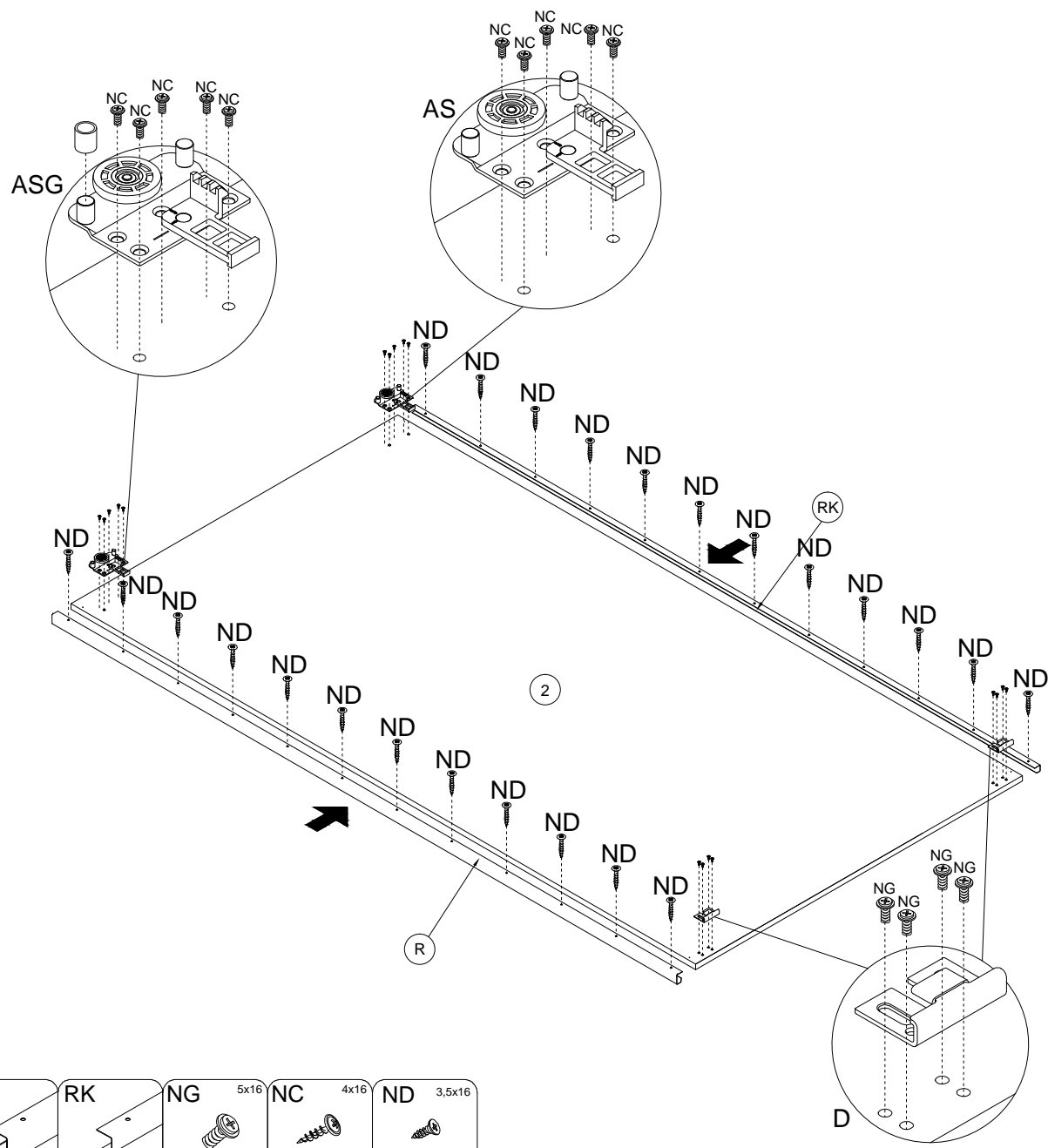


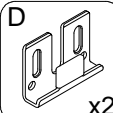
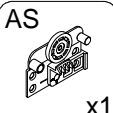

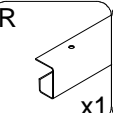
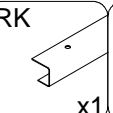
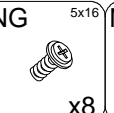
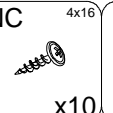

2

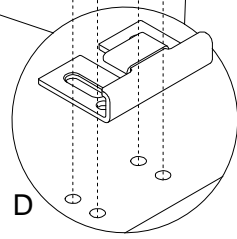


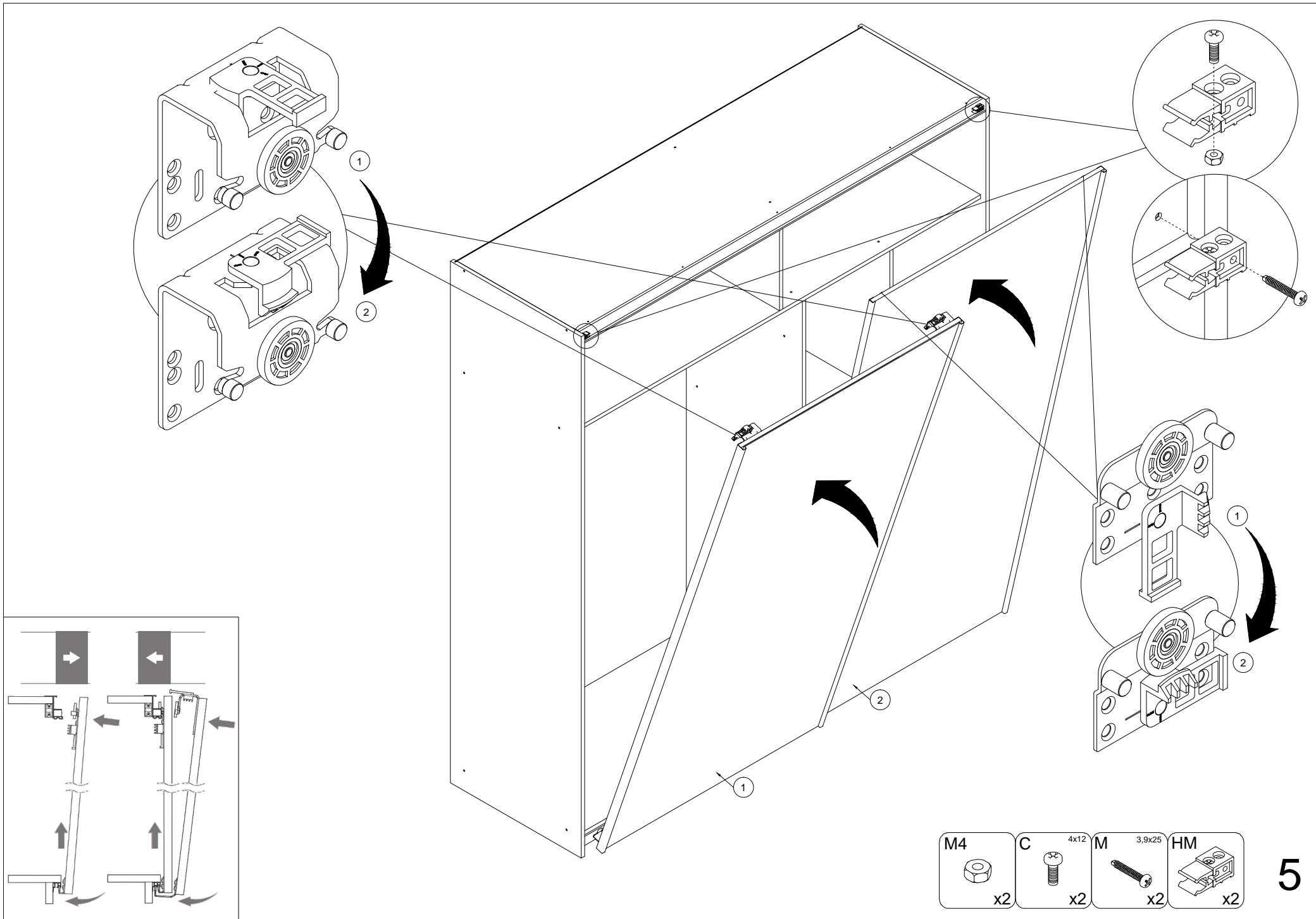
BS	D2	R	NG 5x16	NC 4x16	ND 3,5x16
x2	x2	x2	x8	x10	x24









- | | | | | | | | |
|---|---|---|---|---|---|---|--|
|  |  |  |  |  |  |  |  |
| x2 | x1 | x1 | x1 | x1 | 5x16
x8 | 4x16
x10 | 3,5x16
x24 |





- | | | | |
|---|---|---|---|
| M4 | C 4x12 | M 3,9x25 | HM |
|  |  |  |  |
| x2 | x2 | x2 | x2 |